

<u>PHYSICAL CHARACTERISTICS</u>	<u>SPECIFICATIONS</u>
Maximum Vacuum Bake Specification: (Not Operating)	8 Hours at 120°C at 1×10^{-5} Torr or Lower
Operating Temperature Range:	-50° to 100°C
<u>ELECTRICAL CHARACTERISTICS</u>	<u>SPECIFICATIONS</u>
Operation:	Pulse Counting
Maximum Operating Pressure:	5×10^{-6} Torr
Maximum Specified Operating Voltage:	3000 Volts
Bias Current Range (@ 2500 Volts):	60 to 156 Microamps
Resistance (For Reference Only):	16 to 42 Megohms
Minimum Gain (@ 2500 Volts):	1.0×10^7
Maximum Dark Count (@ 3000 Volts):	120 Counts in 60 Seconds
Maximum Linear Output Current:	10% of Bias Current (Typical)
Maximum Pulse Height Distribution:	100% Full Width Half Maximum

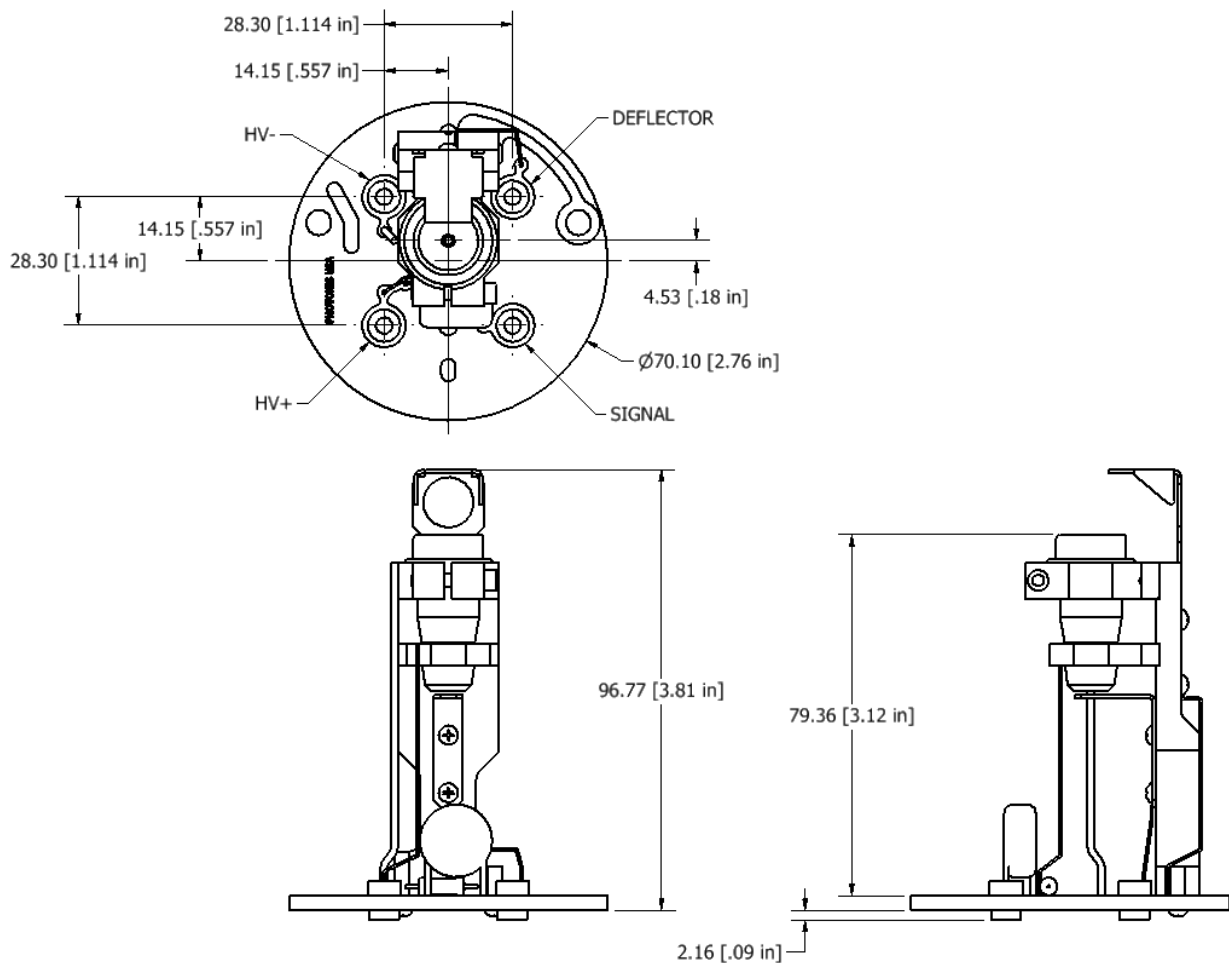


Figure 1, Mechanical Dimensions