

<u>PHYSICAL CHARACTERISTICS</u>	<u>SPECIFICATIONS</u>
Maximum Vacuum Bake Specification: (Not Operating)	8 Hours at 350°C at 1×10^{-5} Torr or Lower
Operating Temperature Range:	-50° to 120°C
<u>ELECTRICAL CHARACTERISTICS</u>	<u>SPECIFICATIONS</u>
Operation:	Analog
Maximum Operating Pressure:	5×10^{-6} Torr
Maximum Specified Operating Voltage:	3000 Volts
Bias Current Range (@ 2000 Volts):	22 to 40 Microamps
Resistance (For Reference Only):	50 to 90 Megohms
Minimum Gain (@ 2000 Volts):	2.0×10^6
Maximum Dark Current (@ 2000 Volts):	1×10^{-12} Amps
Maximum Dark Count (@ 2000 Volts):	120 Counts in 60 Seconds
Maximum Linear Output Current:	8% of Bias Current (Typical)
Bias Resistor:	1% of Total Resistance (Nominal)

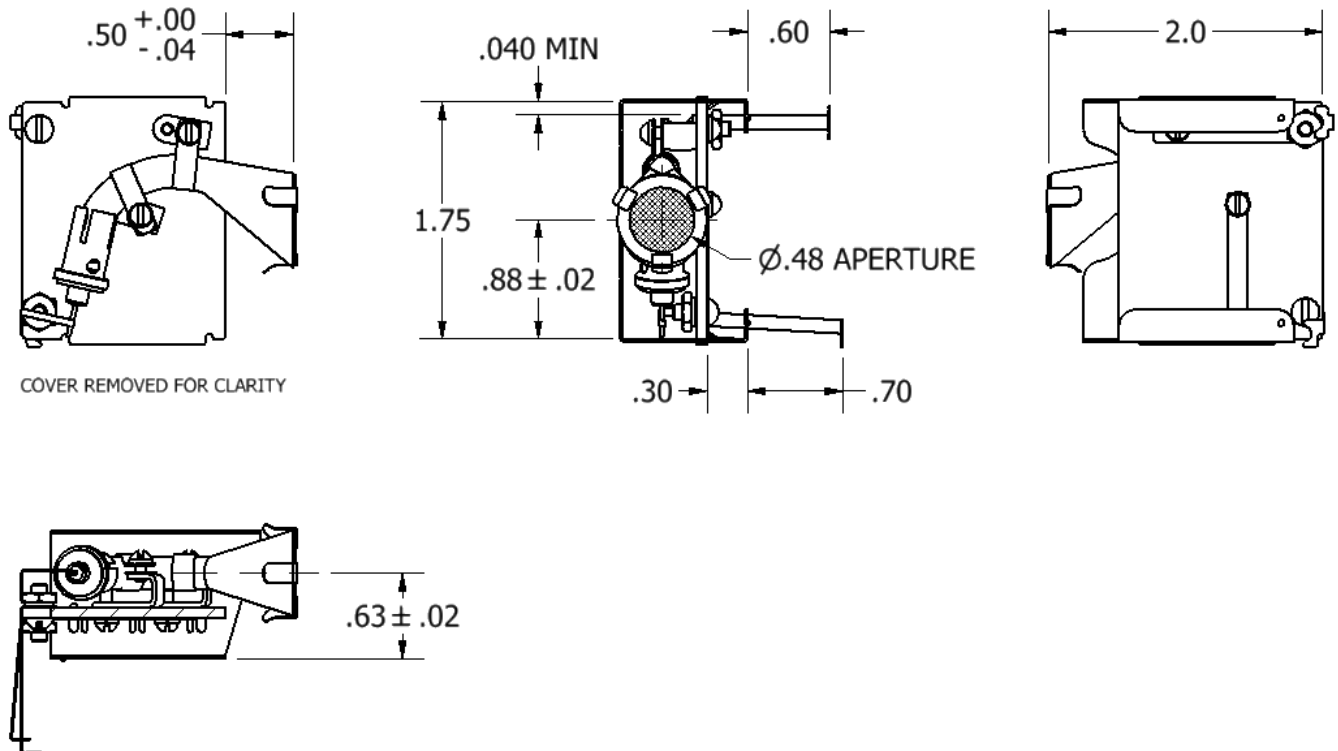


Figure 1, Mechanical Dimensions